

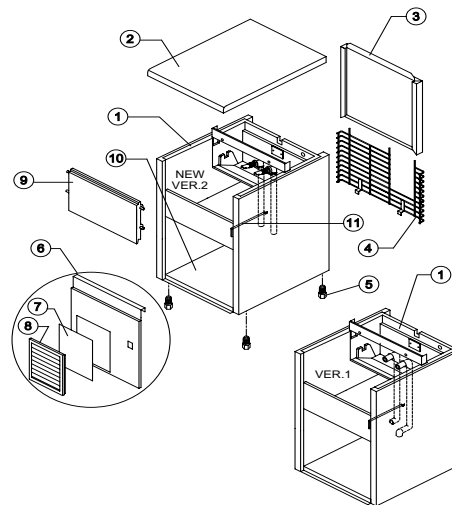


# CB 249

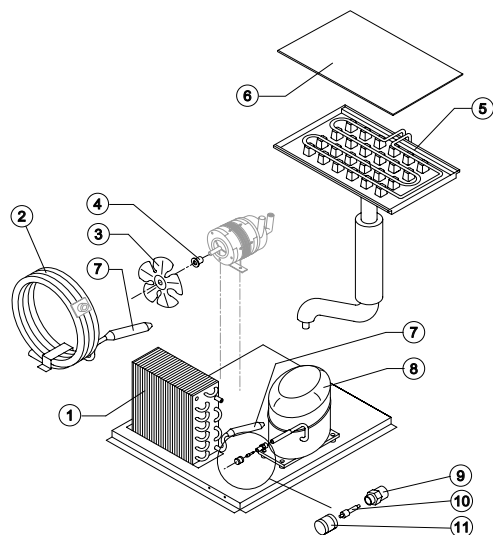
# LIST OF THE EXPLODED VIEWS



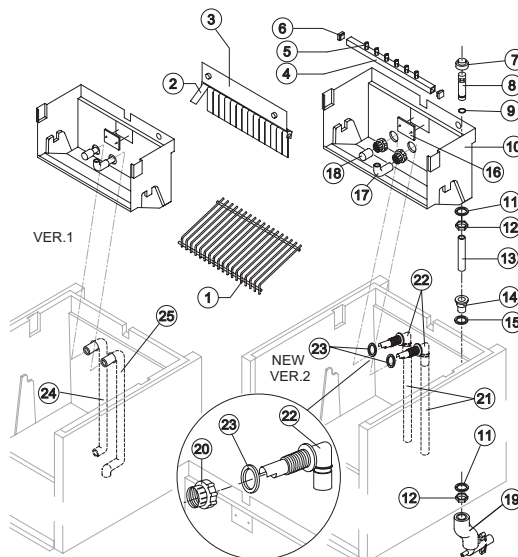
## SHELL ASSY



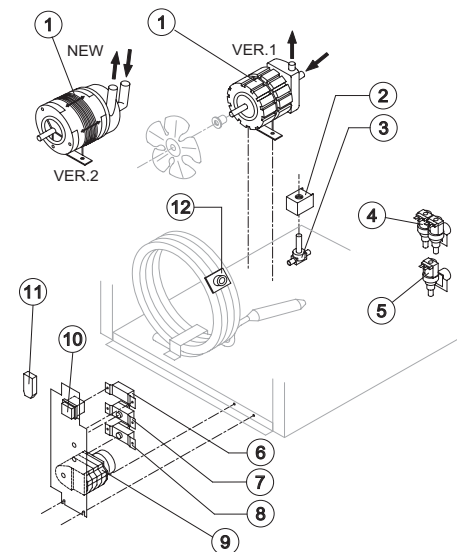
## COOLING SYSTEM



## HYDRAULIC CIRCUIT



## ELECTRIC PARTS

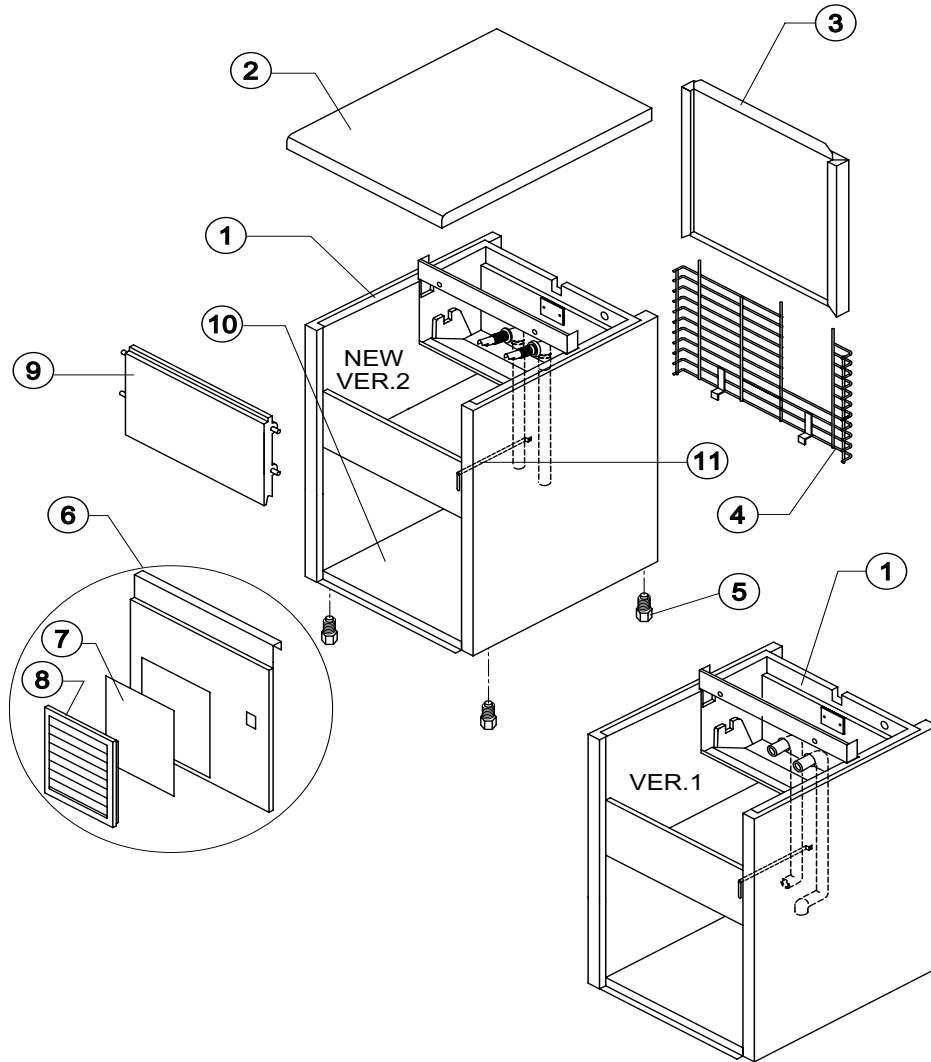


Rev. 4 - 22/04/04



# CB 249

# SHELL ASSY



Rev. 4 - 22/04/04

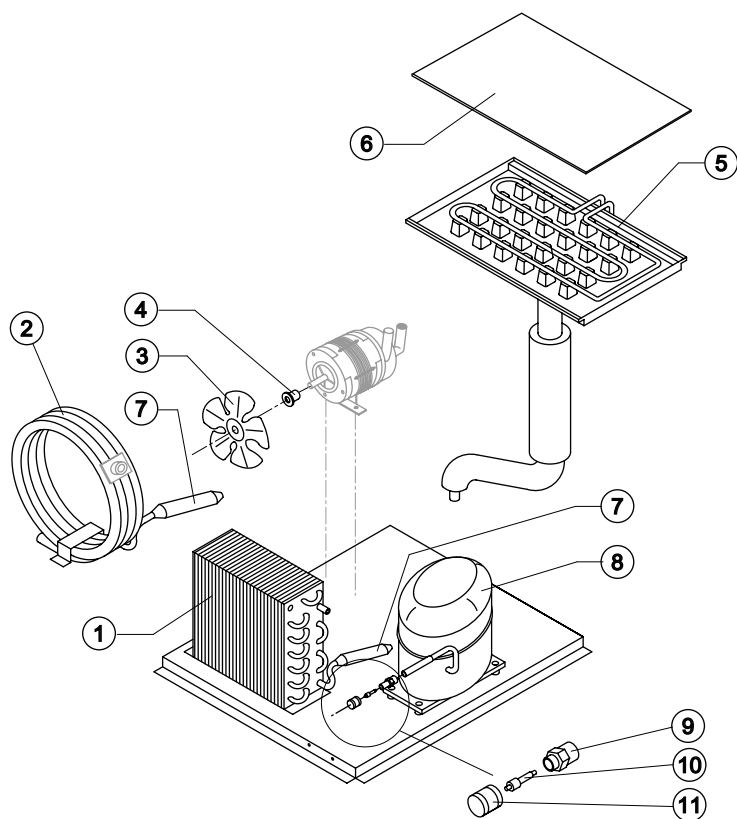
Ref.	Spare Description	Code
1	Foamed Cabinet Assy	See Table
2	Top Assembly	C22693
3	Back Panel Assembly	C22278
4	Rear Grid	D12002
5	Foot	10017
6	Front Grid Panel	Current Version
6	Front Panel	Till s/n 28711
7	Filtering Panel	18106
8	Frame with Grid & Filter	C10205
9	Door Assembly	C10303
10	Base Plate	21001
11	Bulb Thermostat Tube	20520

### Ref. 1 - Foamed Cabinet Assy Version 1

Kind of Cube	Code
18 g. (Standard)	C11041/E
33 g. (Big)	C11041/E
13 g. (Small)	C11041/ED

### Ref. 1 - Foamed Cabinet Assy Version 2

Condensation	Code
Air	C11041A
Water	C11041W



### Common Parts

Ref.	Spare Description	Code
3	Suction Fan	10213
4	Hub for the Fan Fixing	10014
5	Evaporator	See Table
6	Evaporator Cover	Current Version
6	Evaporator Cover	Till s/n. 225017
7	Molecular Drier	14009
8	Compressor	See Table
9	Vacuum-Charge Valve Body	14007
10	Vacuum-Charge Valve Device	14005
11	Vacuum-Charge Valve Plug	14006

### Parts for Air Cooled Version Only

Ref.	Spare Description	Code
1	Air Condenser	Current Version
1	Air Condenser	Till s/n. 104604

### Parts for Water Cooled Version Only

Ref.	Spare Description	Code
2	Water Condenser	Current Version
2	Water Condenser	Till s/n. 28525

### Ref. 5 - Evaporator

Kind of Cube	Code
18 g. (Standard)	D10045
33 g. (Big)	D10320
13 g. (Small)	D10416

### Ref. 8 - Compressor

Tension	Code
220/240V 50 Hz	23441 (*)
220/230V 60 Hz	23494
110/115V 60 Hz	23446

(\*) Cod. 23436 till s/n. 104604

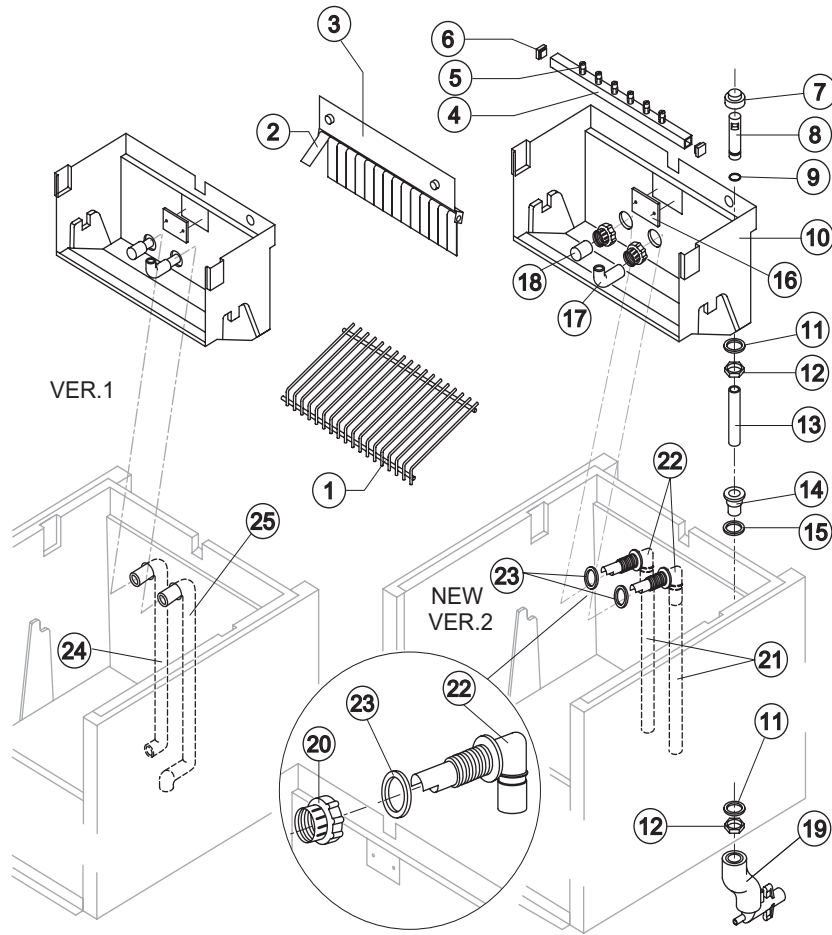


Ref. 5 - For ice makers made in version 1 (for "small size" ice cube only) ask, beside the Evaporator, also the Evaporator Support.



# CB 249

# HYDRAULIC CIRCUIT



### Common Parts

Ref.	Spare Description	Code
1	Ices Cube Slide	See Table -
2	Flag	10005
3	Flags Support Assy	C22034
4	Sprayers Bar Assembly	See Table -
5	Sprayer	D20002
6	Sprayers Bar Plug	10012
7	Overflow Cap	10305
8	Overflow Pipe	10133
9	Or Gasket for Overflow Pipe	20233
10	Inner Basin	10252
11	Semirigid Polyethylene gasket	13007
12	Bin Discharge Nut	10096
13	Overflow Pipe	Current Version 13106
13	Overflow pipe	Till s/n. 64915 13061
14	Plastic Nipple Water Outlet	10472
15	Silicone Gasket	13006
16	Slide Keep Plate	10009
17	Sprayers Feeding Pipe	13005
18	Pump Suction Filter	20005
20	Fittings Locking Ring	Version 2 10405
21	Pump Suction/Delivery Pipe	Version 2 13137
22	Fitting of the Pump Suction/Delivery Pipes	Version 2 10404
23	Gasket for Suction Line/Pump Delivery	Version 2 13143
24	Pump Suction Pipe	Version 1 13013
25	Pump Delivery Pipe	Version 1 13062

Ref. 1 - Ices Cubes Slide

Kind of Cube	Code
18 g. (Standard)	D12001
33 g. (Big)	D12066
13 g. (Small)	D12046

Ref. 4 - Sprayers Bar Ass.

Kind of Cube	Code
18 g. (Standard)	C20028
33 g. (Big)	C20530
13 g. (Small)	C20289

### Parts for Air Cooled Version Only

Ref.	Spare Description	Code
19	Discharges Manifold	C10006

### Parts for Water Cooled Version Only

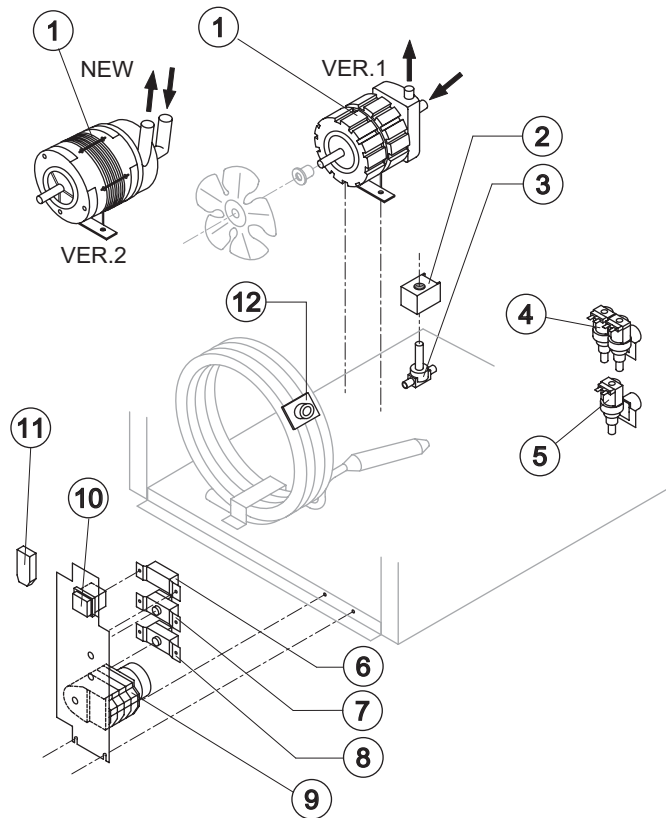
Ref.	Spare Description	Code
19	Discharges Manifold	C26452

Rev. 4 - 22/04/04



# CB 249

# ELECTRIC PARTS



### Common Parts

Ref.	Spare Description	Code
1	Pump	See Table -
2	Hot Gas coil	See Table -
3	Hot Gas Valve Body	20410
7	Bin Thermostat	R23005
8	Evaporator Thermostat	R23591
9	Timer	See Table -
10	Green Light Switch	23327

### Parts for Air Cooled Version Only

Ref.	Spare Description	Code
5	Inlet Water Valve 1 Way	See Table -

### Parts for Water Cooled Version Only

Ref.	Spare Description	Code
4	Inlet Water Valve 2 Ways	See Table -
6	Condenser Pressure Switch	23175
11	Anti Radio Interference Filter	Only 220V 50 Hz C23457
12	Safety Thermostat	C23114

### Ref. 1 - Pump

Tension	Version 1	Version 2
220/240V 50 Hz	23002	23377
220/230V 60 Hz	23002	23377
110/115V 60 Hz	23264	23663

### Ref. 2 - Hot Gas Coil

Tension	Code
220/240V 50 Hz	23091
220/230V 60 Hz	23091
110/115V 60 Hz	23256

### Ref. 4- Inlet Water Valve 2 Ways

Tension	Code
220/240V 50 Hz	23542
220/230V 60 Hz	23542
110/115V 60 Hz	23592

### Ref. 5 - Inlet Water Valve 1 Way

Tension	Code
220/240V 50 Hz	23497
220/230V 60 Hz	23497
110/115V 60 Hz	23499

### Ref. 9 - Timer

Tension	18 g Cube	33g Cube	13g Cube
220/240V 50 Hz	23222	23248	23247
220/230V 60 Hz	23248	23396	23247
110/115V 60 Hz	23259	23397	23258

Rev. 4 - 22/04/04