

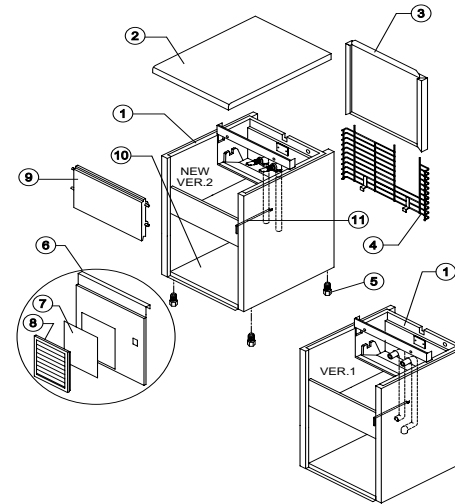


# CB 246

# LIST OF THE EXPLODED VIEWS



## SHELL ASSY

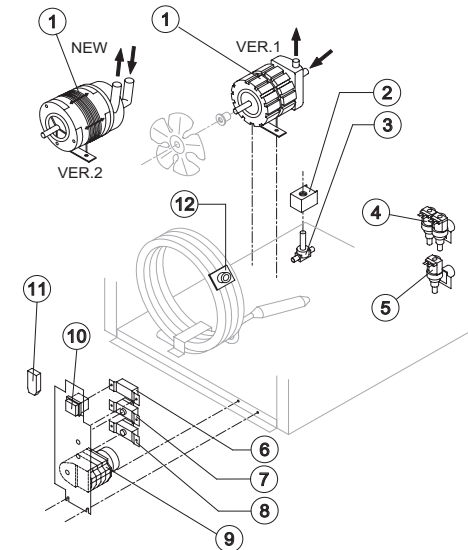
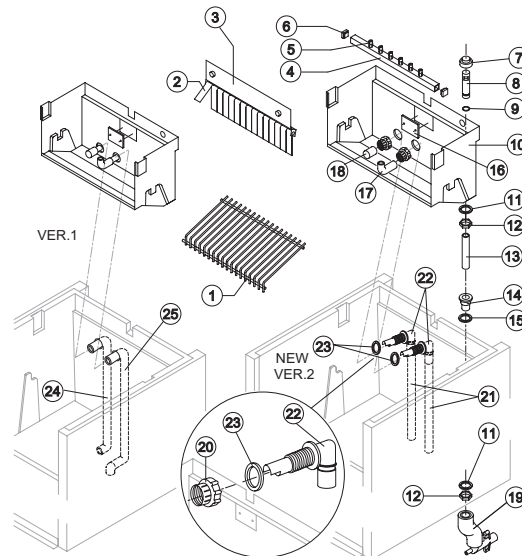
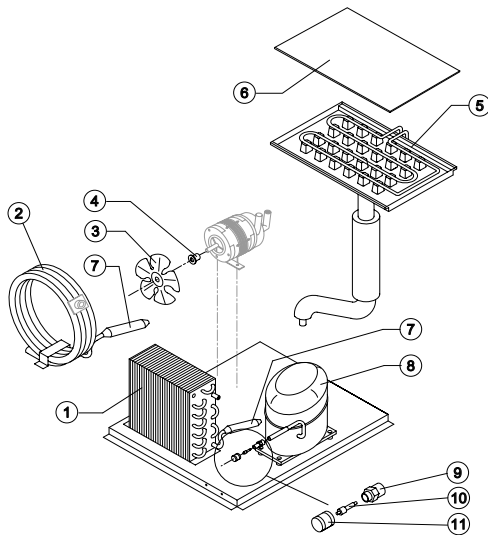


## COOLING SYSTEM

## HYDRAULIC CIRCUIT

## ELECTRIC PARTS

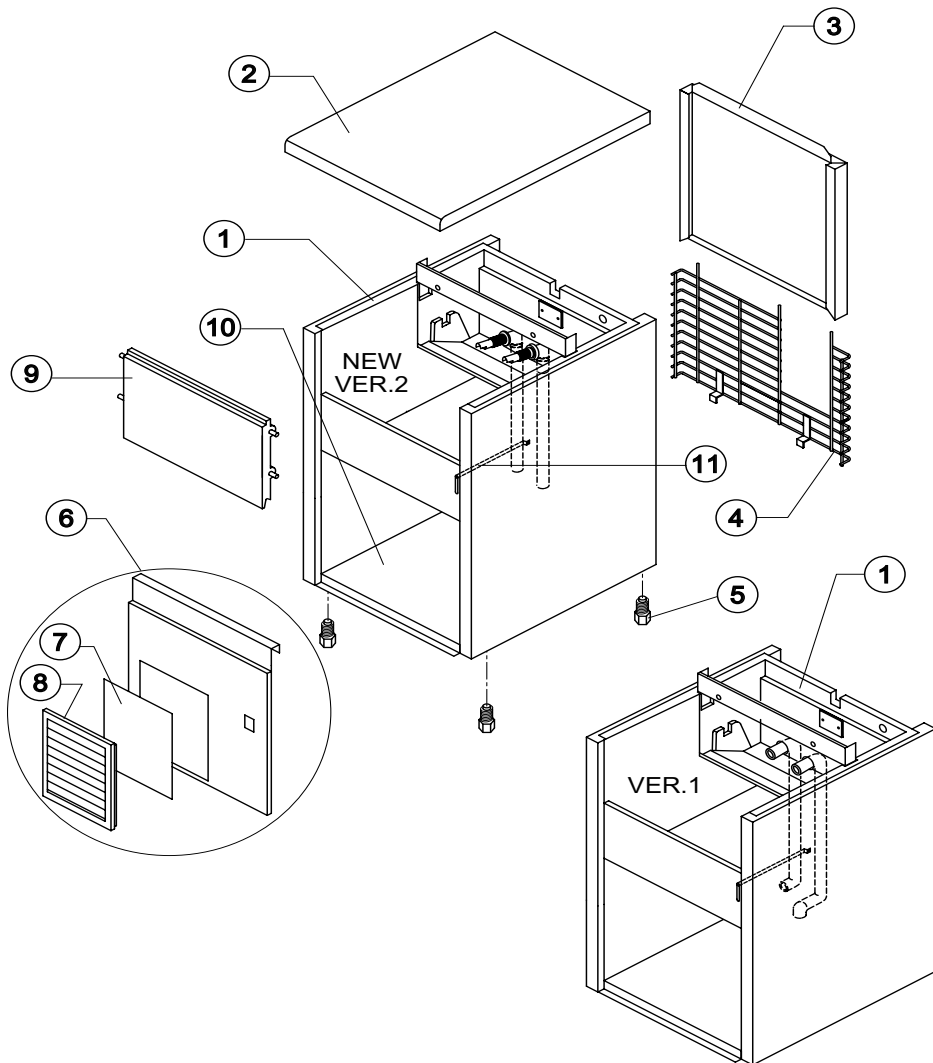
Rev. 4 - 22/04/04





# CB 246

# SHELL ASSY



Rev. 4 - 22/04/04

| Ref. | Spare Description        | Code            |
|------|--------------------------|-----------------|
| 1    | Foamed Cabinet Assy      | See Table       |
| 2    | Top Assembly             | C22693          |
| 3    | Back Panel Assembly      | C22146          |
| 4    | Rear Grid                | D12002          |
| 5    | Foot                     | 10017           |
| 6    | Front Grid Panel         | Current Version |
| 6    | Front Panel              | Till s/n 28877  |
| 7    | Filtering Panel          | 18106           |
| 8    | Frame with Grid & Filter | C10205          |
| 9    | Door Assembly            | C10303          |
| 10   | Base Plate               | 21001           |
| 11   | Bulb Thermostat Tube     | 20520           |

### Ref. 1 - Foamed Cabinet Assy Version 1

| Kind of Cube     | Code      |
|------------------|-----------|
| 18 g. (Standard) | C11002/E  |
| 33 g. (Big)      | C11002/E  |
| 13 g. (Small)    | C11002/ED |

### Ref. 1 - Foamed Cabinet Assy Version 2

| Condensation | Code    |
|--------------|---------|
| Air          | C11002A |
| Water        | C11002W |



### Common Parts

| Ref. | Spare Description          | Code             |
|------|----------------------------|------------------|
| 3    | Suction Fan                | 10213            |
| 4    | Hub for the Fan Fixing     | 10014            |
| 5    | Evaporator                 | See Table        |
| 6    | Evaporator Cover           | Current Version  |
| 6    | Evaporator Cover           | Till s/n. 225081 |
| 7    | Molecular Drier            | 14009            |
| 8    | Compressor                 | See Table        |
| 9    | Vacuum-Charge Valve Body   | 14007            |
| 10   | Vacuum-Charge Valve Device | 14005            |
| 11   | Vacuum-Charge Valve Plug   | 14006            |

### Parts For Air-Cooled Version Only

| Ref. | Spare Description | Code            |
|------|-------------------|-----------------|
| 1    | Air Condenser     | Current Version |
| 1    | Air Condenser     | Till s/n 104676 |

### Parts For Water-Cooled Version Only

| Ref. | Spare Description | Code            |
|------|-------------------|-----------------|
| 2    | Water Condenser   | Current Version |
| 2    | Water Condenser   | Till s/n 28525  |

### Ref. 5 - Evaporator

| Kind of Cube    | Code   |
|-----------------|--------|
| 18g. (Standard) | D10045 |
| 33 g. (Big)     | D10320 |
| 13 g. (Small)   | D10416 |

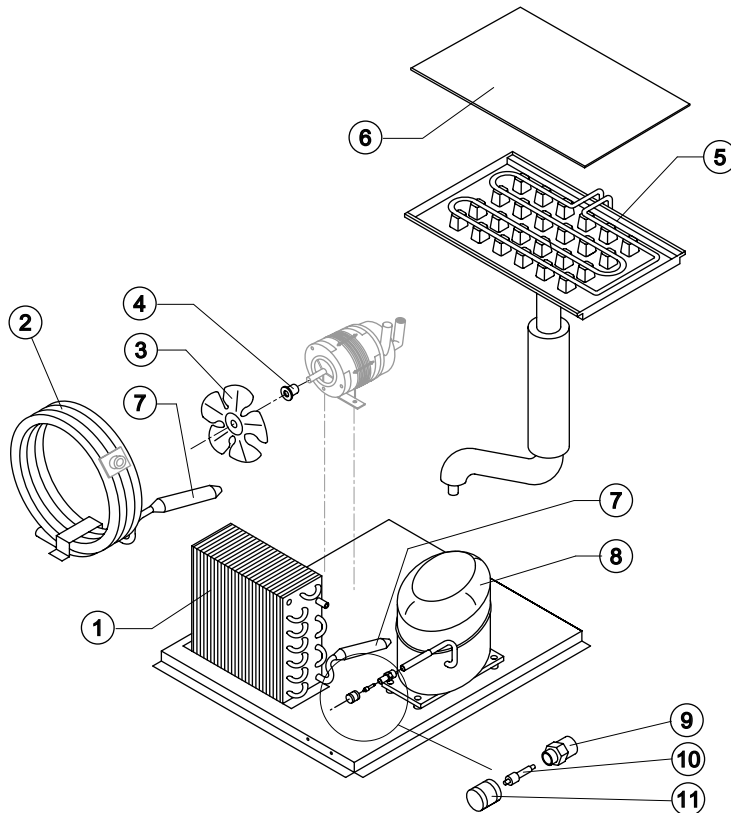
### Ref. 8 - Compressor

| Tension        | Code  |
|----------------|-------|
| 220/240V 50 Hz | 23436 |
| 220/230V 60 Hz | 23494 |
| 110/115V 60 Hz | 23446 |



Ref. 5 - For ice makers made in version 1 (for "small size" ice cube only) ask, beside the Evaporator, also the Evaporator Support.

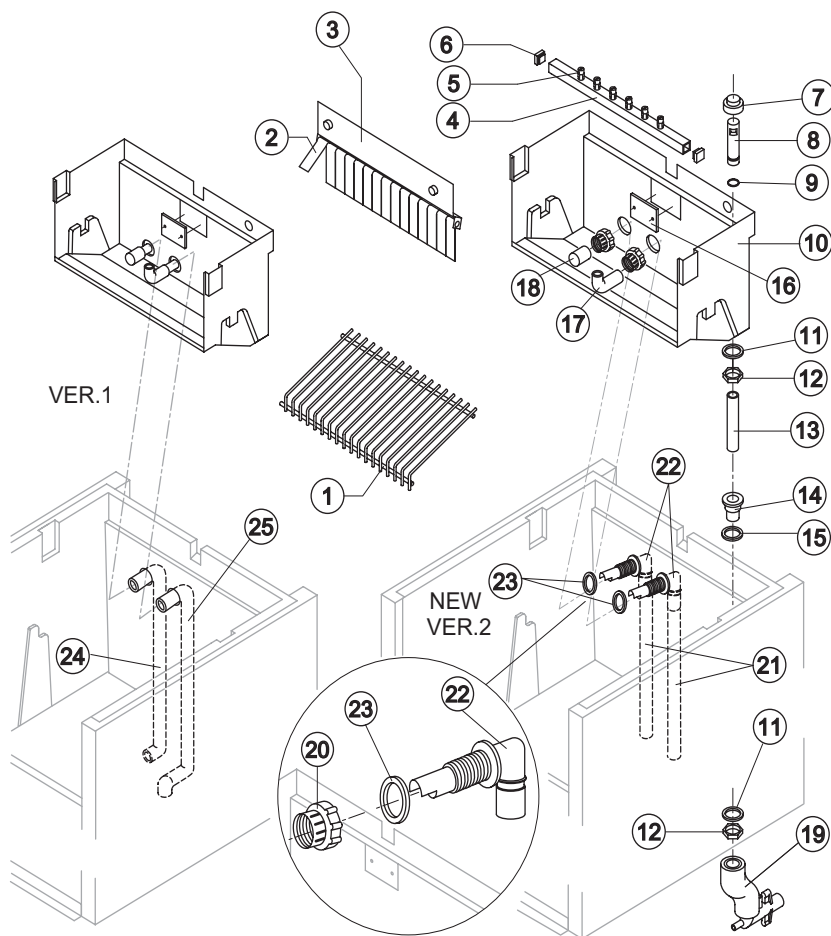
Rev. 4 - 22/04/04





# CB 246

# HYDRAULIC CIRCUIT



### Common Parts

| Ref. | Spare Description                          | Code                  |
|------|--|-----------------------|
| 1    | Ices Cube Slide                            | See Table -           |
| 2    | Flag                                       | 10005                 |
| 3    | Flags Support Assy                         | C22034                |
| 4    | Sprayers Bar Assembly                      | See Table -           |
| 5    | Sprayer                                    | D20002                |
| 6    | Sprayers Bar Plug                          | 10012                 |
| 7    | Overflow Cap                               | 10305                 |
| 8    | Overflow Pipe                              | 10133                 |
| 9    | Or Gasket for Overflow Pipe                | 20233                 |
| 10   | Inner Basin                                | 10252                 |
| 11   | Semirigid Polyethylene gasket              | 13007                 |
| 12   | Bin Discharge Nut                          | 10096                 |
| 13   | Overflow Pipe                              | Current Version 13105 |
| 13   | Overflow pipe                              | Till s/n. 65042 13001 |
| 14   | Plastic Nipple Water Outlet                | 10472                 |
| 15   | Silicone Gasket                            | 13006                 |
| 16   | Slide Keep Plate                           | 10009                 |
| 17   | Sprayers Feeding Pipe                      | 13005                 |
| 18   | Pump Suction Filter                        | 20005                 |
| 20   | Fittings Locking Ring                      | Version 2 10405       |
| 21   | Pump Suction/Delivery Pipe                 | Version 2 13136       |
| 22   | Fitting of the Pump Suction/Delivery Pipes | Version 2 10404       |
| 23   | Gasket for Suction Line/Pump Delivery      | Version 2 13143       |
| 24   | Pump Suction Pipe                          | Version 1 13003       |
| 25   | Pump Delivery Pipe                         | Version 1 13002       |

### Ref. 1 - Ices Cube Slide

| Kind of Cube     | Code   |
|------------------|--------|
| 18 g. (Standard) | D12001 |
| 33 g. (Big)      | D12066 |
| 13 g. (Small)    | D12046 |

### Ref. 4 - Sprayers Bar Ass.

| Kind of Cube     | Code   |
|------------------|--------|
| 18 g. (Standard) | C20028 |
| 33 g. (Big)      | C20530 |
| 13 g. (Small)    | C20289 |

### Parts for Air Cooled Version Only

| Ref. | Spare Description   | Code   |
|------|---------------------|--------|
| 19   | Discharges Manifold | C10006 |

### Parts for Water Cooled Version Only

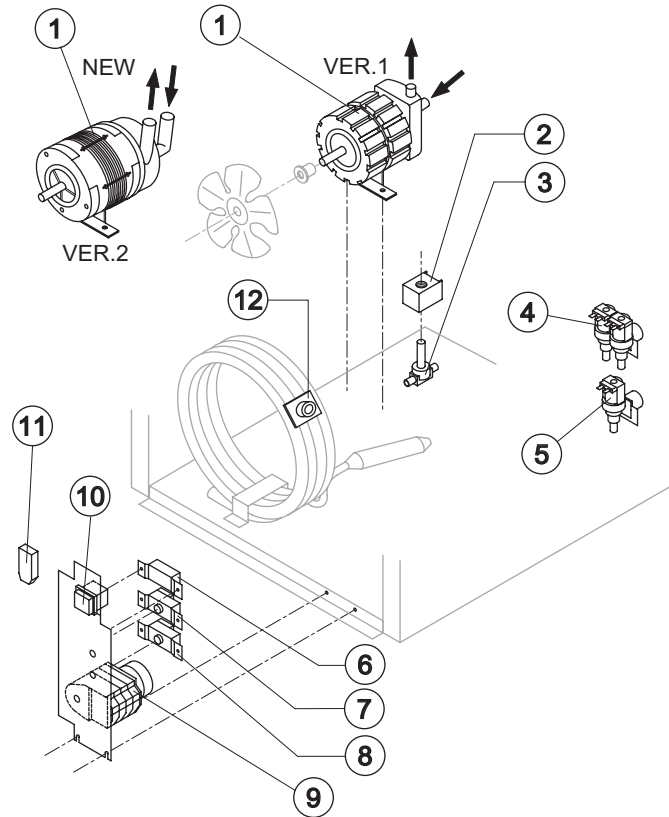
| Ref. | Spare Description   | Code   |
|------|---------------------|--------|
| 19   | Discharges Manifold | C26452 |

Rev. 4 - 22/04/04



# CB 246

# ELECTRIC PARTS



### Common Parts

| Ref. | Spare Description     | Code      |
|------|-----------------------|-----------|
| 1    | Pump                  | See Table |
| 2    | Hot Gas Coil          | See Table |
| 3    | Hot Gas Valve Body    | 20410     |
| 7    | Bin Thermostat        | R23005    |
| 8    | Evaporator Thermostat | R23591    |
| 9    | Timer                 | See Table |
| 10   | Green Light Switch    | 23327     |

### Parts for Air Cooled Version Only

| Ref. | Spare Description       | Code      |
|------|-------------------------|-----------|
| 5    | Inlet Water Valve 1 Way | See Table |

### Parts for Water Cooled Version Only

| Ref. | Spare Description              | Code                      |
|------|--------------------------------|---------------------------|
| 4    | Inlet Water Valve 2 Ways       | See Table                 |
| 6    | Condenser Pressure Switch      | 23175                     |
| 11   | Anti Radio Interference Filter | Only 220V 50 Hz<br>C23457 |
| 12   | Safety Thermostat              | C23114                    |

### Ref. 1 - Pump

| Tension        | Version 1 | Version 2 |
|----------------|-----------|-----------|
| 220/240V 50 Hz | 23002     | 23377     |
| 220/230V 60 Hz | 23002     | 23377     |
| 110/115V 60 Hz | 23264     | 23663     |

### Ref. 2 - Hot Gas Coil

| Tension        | Code  |
|----------------|-------|
| 220/240V 50 Hz | 23091 |
| 220/230V 60 Hz | 23091 |
| 110/115V 60 Hz | 23256 |

### Ref. 4 - Inlet Water Valve 2 Ways

| Tension        | Code  |
|----------------|-------|
| 220/240V 50 Hz | 23542 |
| 220/230V 60 Hz | 23542 |
| 110/115V 60 Hz | 23592 |

### Ref. 5 - Inlet Water Valve 1 Way

| Tension        | Code  |
|----------------|-------|
| 220/240V 50 Hz | 23497 |
| 220/230V 60 Hz | 23497 |
| 110/115V 60 Hz | 23499 |

### Ref. 9 - Timer

| Tension        | 18 g Cube | 33 g Cube | 13 g Cube |
|----------------|-----------|-----------|-----------|
| 220/240V 50 Hz | 23222     | 23248     | 23247     |
| 220/230V 60 Hz | 23248     | 23396     | 23247     |
| 110/115V 60 Hz | 23259     | 23397     | 23258     |

Rev. 4 - 22/04/04